

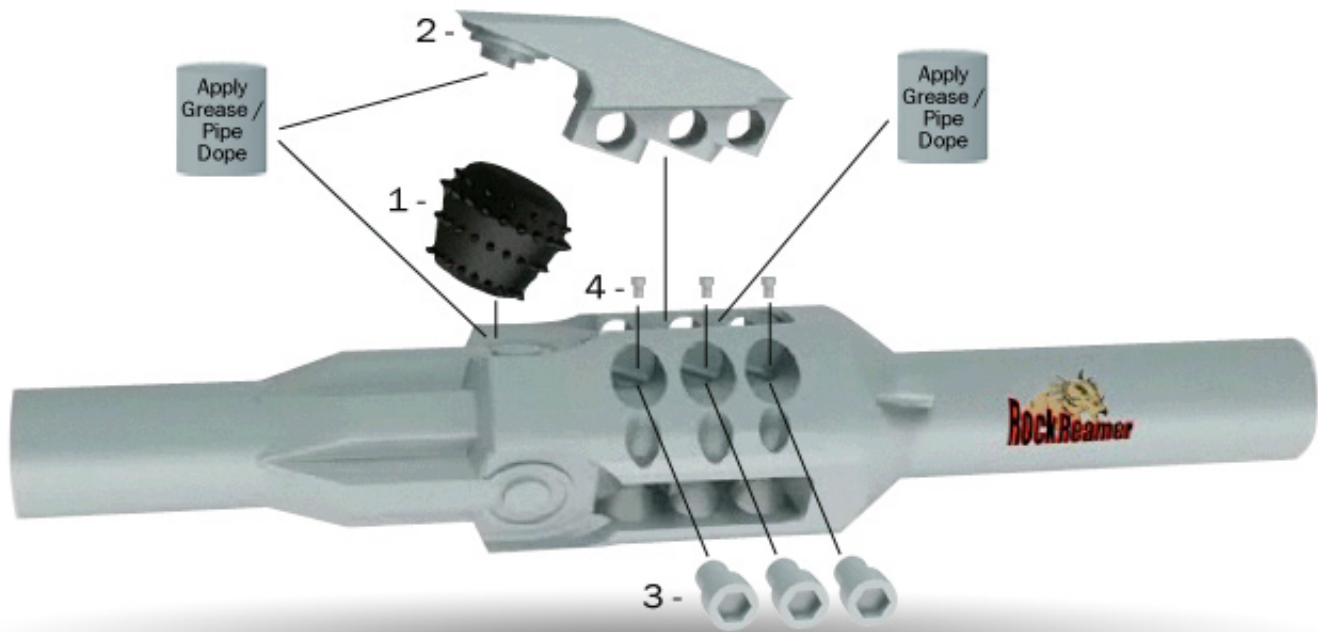


HORIZONTAL TECHNOLOGY, INC.  
 12029 BRITTMORE PARK DRIVE  
 HOUSTON, TEXAS 77041  
 713-774-5594 - Phone  
 713-466-7552 - Fax

HORIZONTAL TECHNOLOGY of CANADA, INC.  
 BAY#1 1317-10th STREET  
 NISKU, ALBERTA T9E 8L6  
 CANADA  
 780-955-0233 - Phone  
 780-955-0248 - Fax

Toll Free: 888-556-5511 (US and Canada)  
 Website: [www.HorizontalTech.com](http://www.HorizontalTech.com)  
 Email: [drill@horizontaltech.com](mailto:drill@horizontaltech.com)

## RockReamer™ How to Change Cutters



1. Place the correct size cutter into the pocket.
2. Slide the arm into place, securing the cutter.
3. Tightened the three bolts according to chart. (see below)
4. Tighten the lock screws according to chart. (see below)
5. Repeat for each cutter.

SIZES	ALLEN WRENCH	TORQUE	LOCK SCREW / TORQUE
R8 thru R-48	1"	2000-2500 ft/lb	5/8" / 400-500 ft/lb
R4	5/8"	400-500 ft/lb	5/16" / 40-60 ft/lb
R6	7/8"	1000-1200 ft/lb	3/8" / 100-150 ft/lb